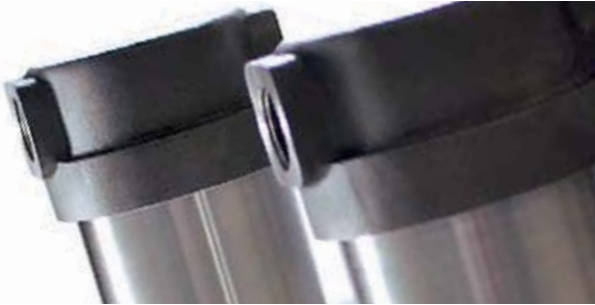


High Temperature Dust Filters



A comprehensive range of high temperature filters for use in specialist applications. Ideal to protect processes and equipment from dust where the temperature of the compressed air exceeds 120°C/248°F.

This filter range is manufactured from the highest quality 316 grade stainless steel. We offer 8 models with connection sizes of 1/4" to 2" with various flow rates up to 675 SCFM (1150 Nm³/h).

High performance carbon steel element end caps

The range incorporates filter grades of 5, 1 and 0.01 micron allowing you to select the correct filter efficiency for your application. A stainless steel tie rod is used to secure the filter element in these arduous conditions.

Independently tested and validated to international standards

All Walker Filtration products are designed for optimal performance and efficiency using the latest technological advancements. Our products are tested and validated to international standard ISO 12500 by an independent accredited laboratory.



Applications include

Chemical

Manufacturing

Military

Oil & Gas

Pharmaceutical



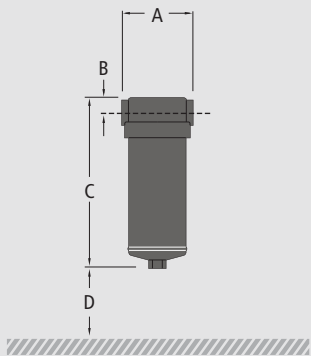
THE QUEEN'S AWARDS
FOR ENTERPRISE:
INTERNATIONAL TRADE
2006





Technical Specification

filter model	pipe size	flow rate		dimensions (mm)				weight Kg	element model
		Nm ³ /h	SCFM	A	B	C	D		
HT25 (grade)	¼"	35	20	85	18	170	75	1.7	E50 (grade)
HT31 (grade)	⅜"	52	30	85	18	205	100	2.0	E51 (grade)
HT50 (grade)	½"	108	63	85	18	225	100	2.2	E52 (grade)
HT75 (grade)	¾"	216	127	110	27	270	150	4.0	E715 (grade)
HT101 (grade)	1"	300	176	110	27	420	300	5.0	E730 (grade)
HT150 (grade)	1½"	725	427	150	45	525	300	15	E830 (grade)
HT200 (grade)	2"	800	470	150	45	525	300	15	E830 (grade)
HT201 (grade)	2"	1150	675	150	45	825	500	21	E86 (grade)



HT25 (grade) to HT201 (grade)

	HRX5		HRX1		HRXA	
Particle removal	5 micron		1 micron		0.01 micron	
Maximum temperature	250°C	482°F	250°C	482°F	250°C	482°F
Maximum working pressure	16 barg	232 psig	16 barg	232 psig	16 barg	232 psig
Element end cap material	stainless steel					

pressure correction factors

for maximum flow rate, multiply model flow rate by the correction factor corresponding to the pressure

Operating pressure barg (psig)	4 (58)	5 (72)	6 (87)	7 (100)	8 (115)	10 (145)	12 (174)	14 (203)	16 (232)
7 barg - correction factor	0.76	0.84	0.92	1.00	1.07	1.19	1.31	1.41	1.51

technical notes

- 1 High temperature filters are manufactured from stainless steel and are uncoated and are PED 97/23/EC compliant for group 2 gases.
- 2 Direction of air flow is outside to in through the filter element.
- 3 High temperature threaded filters are supplied without a drain valve.
- 4 Drain ports are 1/8" on models HT25 to HT50 and 1/4" on models HT75 to HT201.
- 5 Threaded connections are Rp (BSP parallel) to ISO 7/1 or NPT to ANSI B2.1 if supplied within North America.
- 6 For NPT connections, add the suffix N e.g. HT50HRX5N.
- 7 Filter elements should be changed every 12 months / 8000 hours (whichever comes first).
- 8 Filters are suitable for use with mineral and synthetic oils, plus oil-free compressed air applications.